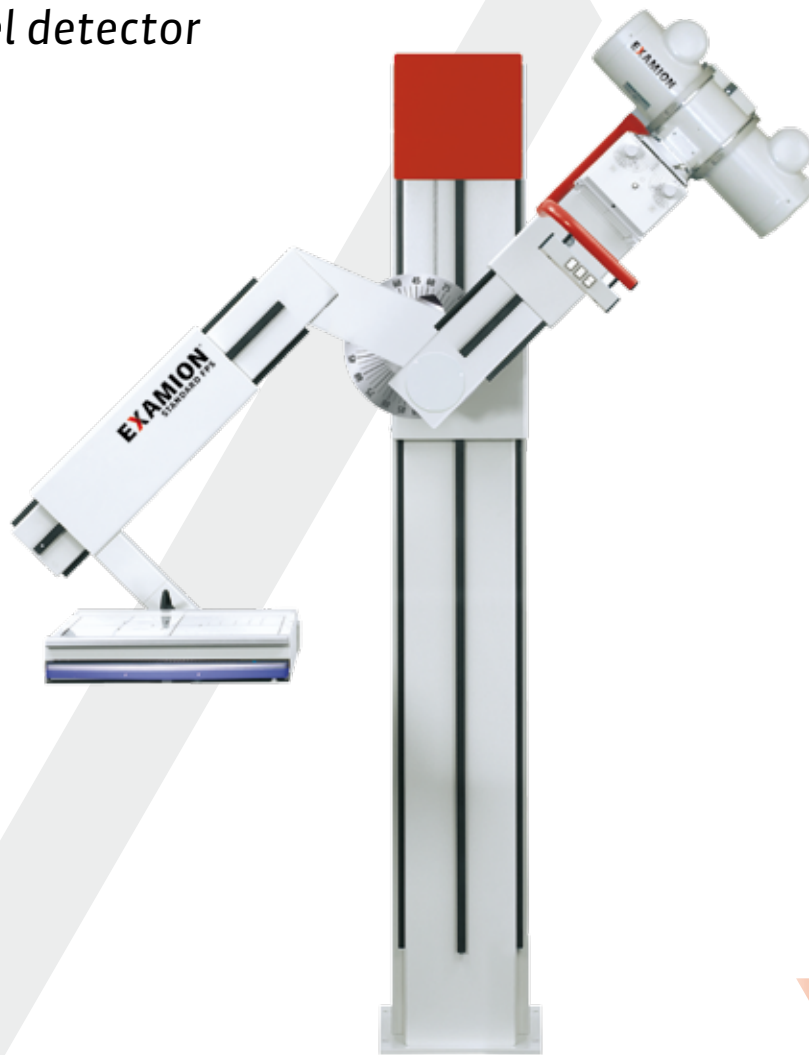


EXAMION STANDARD FPS**Digital Radiography**

*digital radiographic x-ray system
with flat-panel detector*



Integrated DR-System

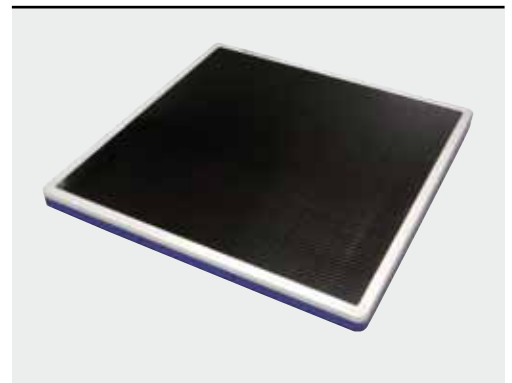
Digital x-ray System of a piece.

The **EXAMION STANDARD FPS SYSTEM** integrates all components of a digital x-ray machine. The whole system is controlled by one touch screen computer. The automated workflow system of the **EXAMION AQS SOFTWARE** minimizes the steps during due to the advantages of the intelligent workflow system. Also the software interface takes control of the x-ray generator and acquires the images from the high resolution 17 x 17" detector unit. The outstanding image quality is achieved by the advanced post processing algorithms of the examion AQS software.

EXAMION STANDARD FPS

- ✓ **Direct Conversion Technology**
direct conversion of x-ray into image information
- ✓ images within a few seconds
- ✓ excellent image quality and grey value dynamics
- ✓ integrated control of x-ray machine and detector

- ✓ classic design
- ✓ simple handling
- ✓ less radiation dosage
- ✓ higher productivity
- ✓ suitable for all images: skeleton, thorax, skull, extremities...



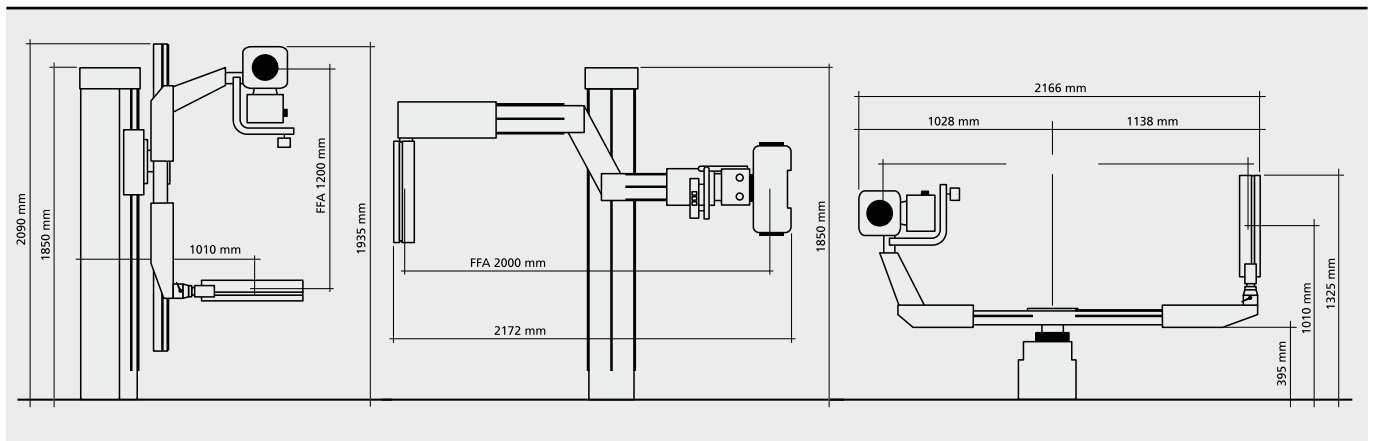
with integrated flatpanel detector
43 x 43 cm



The **EXAMION STANDARD-FPS** system capture console simplifies user operation with its intuitive touchscreen user interface.

SPECIFICATIONS

FLAT-PANEL DETECTOR	EXAMION DR 1717 active detecting area 43 x 43 cm, technology TFT-amorphous selenium, resolution 2,560 x 2,560 pixel, pixel size 168 µm, dynamic range 16,000:1
ACQUISITION PANEL	EXAMION AQS PC with 19" touchscreen monitor, including EXAMION integration and control software for flatpanel detector, integrated EXAMION control software for the generator, EXAMION picture optimization software, DICOM WORKLIST und DICOM STORE software
UNIVERSAL STAND	EXAMION STANDARD HEIGHT ADJUSTMENT: 27 - 160 cm, electromagnetic brakes CROSS ARM: rotatable, tube position right or left, inclined exposures possible, electromagnetic brakes SID: 120 - 200 cm, continuous BUCKY UNIT: ± 45° rotatable, removable moving grid WEIGHT: approx. 280 kg
GENERATOR	CMP 200 DR, 50 kW, max. 630 mA, max. 150 kV, 200 kHz, AEC, hand switch, 3 phases/N/PE, 400 V
TUBE	RAD-21, focal spots 0.6/1.2 mm, 19/60 kW, max. 150 kV, incl. trunnion ring assembly and high voltage cable
COLLIMATOR	manually turnable, halogene lamp, timer
DAP	dose area product measurement device, integrated display, automatic integration into EXAMION x-ray journal
MEASURING CHAMBER AEC	3 fields measuring chambers
GRID	moving grid, 44 x 48 cm, 40 lines per cm, ratio 12:1





INTERNET www.examion.com

EMAIL info@examion.com

PHONE +49 711/120 00 20

FAX +49 711/618912

ADDRESS **Arzt & Praxis GmbH**
Maybachstraße 39
70469 Stuttgart / Germany



DISTRIBUTION AND SERVICE PARTNER

NEOLOGIS MEDICAL SRL
B-dul Liviu Rebreanu nr. 104
300755 Timisoara, Romania
Phone: +40 724 807 282
E-mail: office@neologis.ro
Web: www.neologis.ro

All information contained herein is intended for guidance purposes only, any characteristics of the products and services described in this publication can be changed at any time without notice. Products and services might not be available for your local area. We shall not be responsible for any typographical error.

All brand names or trademarks are the property of their respective owners. Contains hardware components of our technology partners.