

## EXAMION® MAXIVET FPS

# Digital x-ray system

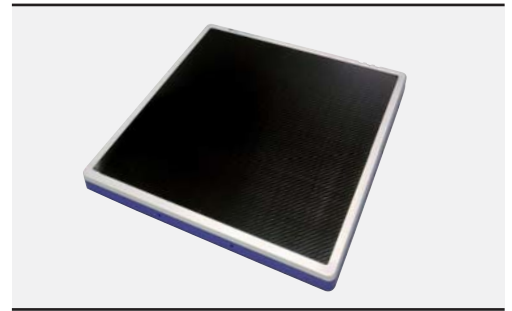
*the flat-panel solution  
with integrated detector*



- ✓ High-frequency x-ray device with flat-panel detector
- ✓ integrated control of x-ray generator **AND** detector with just one single software suit
- ✓ Direct-Conversion Technology
- ✓ highest image quality and grey value dynamics
- ✓ image viewing within seconds
- ✓ 19" touchscreen control panel
- ✓ incl. EXAMION® AQS software

## SPECIFICATIONS

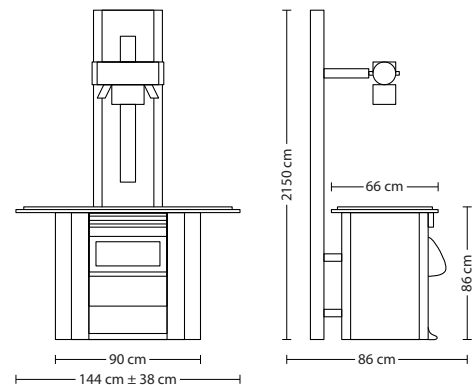
<b>EXAMION® 1417 DR</b>	
<b>DETECTOR</b>	<p><b>EXAMION® DR 1417-550 SE</b></p> <p><b>TECHNOLOGY:</b> TFT – amorphous selenium</p> <p><b>RESOLUTION:</b> 2.560 x 2.048 pixel</p> <p><b>ACTIVE DETECTING AREA:</b> 344 x 429 mm / 14 x 17"</p> <p><b>PIXEL PITCH:</b> 168 µm</p> <p><b>A/D CONVERSION:</b> 14 bits</p> <p><b>DYNAMIC RANGE:</b> 16.000 : 1</p> <p><b>IMAGE ACQUISITION TIME:</b> &lt; 3.6 sec</p> <p><b>VOLTAGE:</b> 230/240V (50/60 Hz)</p> <p><b>DIMENSIONS:</b> 482 x 403 x 35 mm</p> <p><b>WEIGHT:</b> 5.5 kg (12.13 lbs)</p>
<b>CAPTURE CONSOLE, CONSISTING OF:</b>	<ul style="list-style-type: none"> <li>- <b>EXAMION® DR</b> PC workstation</li> <li>- <b>EXAMION®</b> 19" touchscreen monitor</li> <li>- <b>EXAMION® AQS DR</b> software: <b>detector+generator</b></li> </ul> <p>Software controls flat-panel detector and x-ray generator, image acquisition and optimization, <b>DICOM Send/Store, DICOM Worklist.</b></p> <p>Optional: <b>EXAMION® PACS.</b></p>
<b>EXAMION® MAXIVET X-RAY EQUIPMENT DR</b>	
<b>HIGH FREQUENCY X-RAY DEVICE</b>	<p><b>OUTPUT POWER:</b> 32 kW</p> <p><b>VOLTAGE RANGE:</b> 40 - 125 kV</p> <p><b>CURRENT RANGE:</b> 1.0 - 100 mAs</p> <p><b>SWITCHING TIME:</b> 0.001 - 1.25 s</p> <p><b>MAINS CONNECTION:</b> 230 V - 50 Hz 1-phase (wall plugg)</p> <p><b>CAPACITOR TECHNOLOGY:</b> 3.5 kW input → 32 kW output</p> <p><b>FOOT RELEASE SWITCH:</b> 2-stage with safety function</p> <p><b>TABLE HEIGHT:</b> 850 mm</p> <p><b>TABLE TOP:</b> 144 x 66 cm, offset ± 38 cm, electrically height-adjustable</p>
<b>TUBE</b>	X-ray tube with rotary anode and dual focus 0.6/1.2 mm
<b>COLLIMATOR</b>	Manual rotation, halogen lamp, timer
<b>ACCESORIES</b>	Optional: high-resolution carbon grid 100 L/cm, 35 x 43 cm



with integrated flat-panel detector  
35 x 43 cm (14 x 17")



The **EXAMION® MAXIVET FPS** system features an intuitive easy-to-use touch-screen interface.



INTERNET	<a href="http://www.dix-ray-vet.com">www.dix-ray-vet.com</a>
EMAIL	<a href="mailto:info@dix-ray-vet.com">info@dix-ray-vet.com</a>
PHONE	+49 (0) 89/23238726 - 0
FAX	+49 (0) 89/ 23 238726 - 26
ADDRESS	<p><b>EXAMION® VET DIVISION</b>                  DIX-Ray Medical Imaging GmbH                  Am Kirchenhölzl 15                  82166 Gräfelfing</p>

DISTRIBUTION AND SERVICE PARTNER



**NEOLOGIS MEDICAL SRL**  
 B-dul Liviu Rebreanu nr. 104  
 300755 Timisoara, Romania  
 Phone: +40 724 807 282  
 E-mail: [office@neologis.ro](mailto:office@neologis.ro)  
 Web: [www.neologis.ro](http://www.neologis.ro)

All information contained herein is intended for guidance purposes only, any characteristics of the products and services described in this publication can be changed at any time without notice. Products and services might not be available for your local area. We shall not be responsible for any typographical error.

All brand names or trademarks are the property of their respective owners. Contains hardware components of our technology partners.