

EXAMION CLASSIC**X-ray unit**

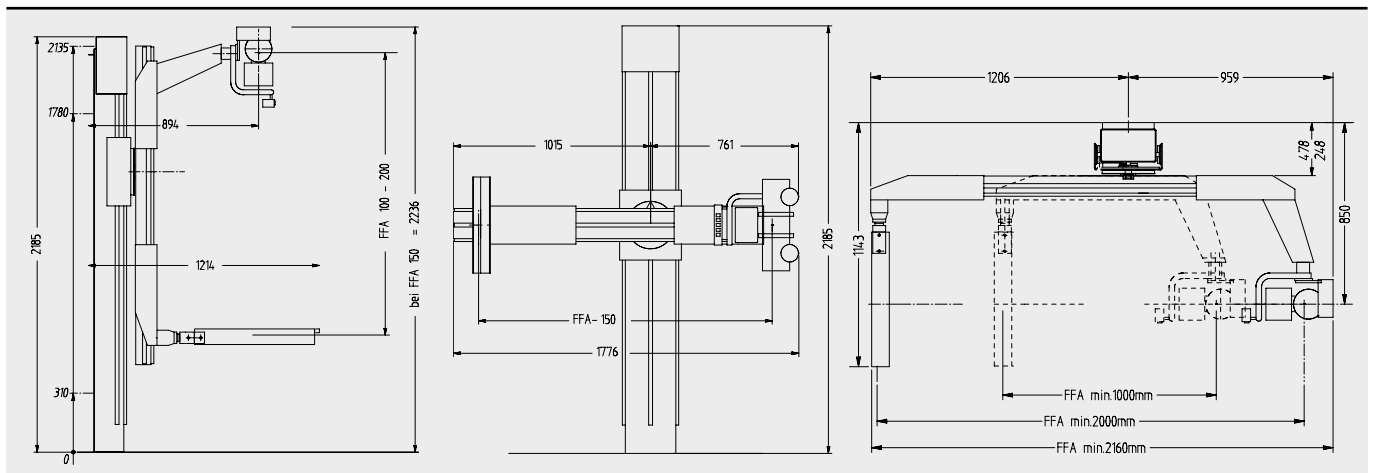
*functional x-ray unit for
film or CR cassettes*



- ✓ classic design
- ✓ simple handling
- ✓ less radiation dosage
- ✓ higher productivity
- ✓ suitable for all images: skeleton, thorax, skull, extremities...

SPECIFICATIONS

UNIVERSAL STAND	EXAMION CLASSIC HEIGHT ADJUSTMENT: 27 - 170 cm, electromagnetic brakes CROSS ARM: rotatable, tube position right or left, inclined exposures possible, electromagnetic brakes SID: 100 - 200 cm, continuous BUCKY UNIT: ± 45° rotatable, removable moving grid WEIGHT: approx. 250 kg
GENERATOR	CMP 200 DR, 50 kW, max. 630 mA, max. 150 kV, 200 kHz, AEC, hand switch, 3 phases/N/PE, 400 V
TUBE	RAD-14, focal spots 0.6/1.2 mm, 19/50 kW, max. 150 kV, incl. trunnion ring assembly and high voltage cable
COLLIMATOR	manually turnable, halogene lamp, timer
DAP	dose area product measurement device, integrated display, automatic integration into EXAMION x-ray journal
MEASURING CHAMBER AEC	2 x 3 fields measuring chambers
GRID	2 x moving grid, 44 x 48 cm, 40 lines per cm, ratio 12:1



INTERNET www.examion.com
 EMAIL info@examion.com
 PHONE +49 711/120 00 20
 FAX +49 711/618912
 ADDRESS Arzt & Praxis GmbH
 Maybachstraße 39
 70469 Stuttgart / Germany



DISTRIBUTION AND SERVICE PARTNER

NEOLOGIS MEDICAL SRL
 B-dul Liviu Rebreanu nr. 104
 300755 Timisoara, Romania
 Phone: +40 724 807 282
 E-mail: office@neologis.ro
 Web: www.neologis.ro

All information contained herein is intended for guidance purposes only, any characteristics of the products and services described in this publication can be changed at any time without notice. Products and services might not be available for your local area. We shall not be responsible for any typographical error. All brand names or trademarks are the property of their respective owners. Contains hardware components of our technology partners.